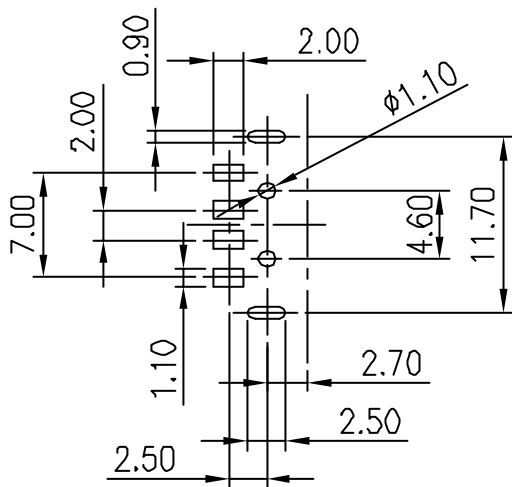
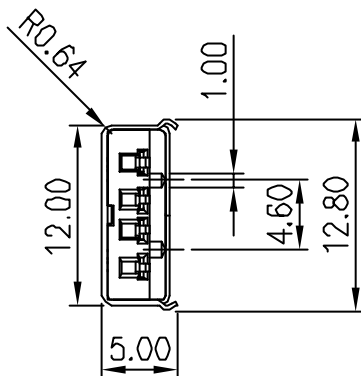
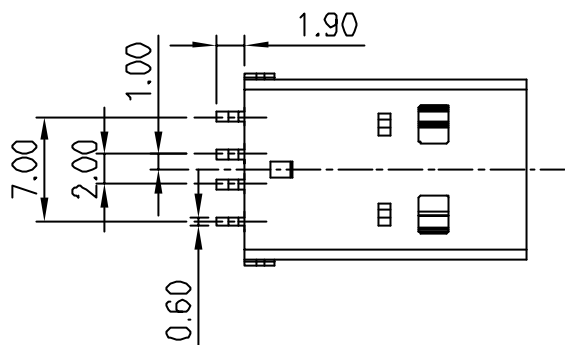


■ MATERIAL
 HOUSING: NYLON 6T+GF 30% UL94V-0
 CONTACT: PHOSPHOR BRONZE
 SHELL : BRASS
 PLATING: NICKEL UNDER PLATING OVER ALL, GOLD ON CONTACT AREA, TIN/LEAF ON SOLDER TAIL

■ ELECTRICAL
 CURRENT RATING: 1 AMP.
 DIELECTRIC WITHSTANDING VOLTAGE: 500 VAC MIN.
 INSULATION RESISTANCE: 500 MEGOHMS MIN.
 CONTACT RESISTANCE: 30 MILLIOHMS MAX.

■ ENVIRONMENTAL
 TEMPERATURE RANGE: -45°C TO 105°C.

■ PART NO.
 TEMPERATURE RANGE: -45°C TO 105°C.



SERIES NO. USB1-N9P01B-X
 1 : DIP TYPE
 PART _____
 Contact: PHOSPHOR BRONZE

1: TAPE & REEL
 : NO mucous membrane
 2: TAPE & REEL
 : OFF mucous membrane
 3: Tube PACKING
 Shell:
 BRASS-Plating TIN
 Plating
 01: G/F 30° NICKEL
 30: 30° GOLD 50° NICKEL

				TOLERANCE		啟賢興業股份有限公司 KEMAX KE MAX SHING CO., LTD.		TITLE: USB					
				LINEAR	ANGLES			PART NO. USB1-N9P01B-X					
				X±0.40	X'±	APPD:	MAT'L:	DWG NO. USB07001		UNITS MM	SCALE 1 : 1	SHEET 1 OF 1	REV A
				.X±0.30	.X'±	CHKD:	FINISH:						
				.XX±D.20	.XX'±	DRWN: Lance	Q'TY:						
REV	ECN NO.	NAME	DATE	.XXX±0.10	.XXX'±								